



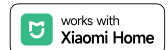
Product introduction >>>----->>>>

JISIM JD5208A is a constant voltage LED intelligent dimming driver. It is a product specially designed for indoor constant voltage lamps. It supports Bluetooth Tunable White dimming function. The customized dimming curve section makes the human eye more comfortable; when no external signal is connected, it can be used as a non-dimming driver; It is suitable for LED light strips, LED linear lights, LED light films, LED magnetic absorption lights, and LED decorative lights. It is widely used in smart homes, smart hotels, smart commercial lighting, smart offices, smart buildings, large public buildings, etc. Places.



Product Features >>>----->>>>

- Compact SELV independent dimmable driver
- Support Bluetooth Tunable White dimming
- Globally certified, SELV equivalent
- Suitable for class I II III luminaires
- Output power up to 100W
- Up to 50000 hours life time, 5-Year Warranty (Long-lasting Capacitor)
- Smooth dimming, no stroboscopic, no noise, dimming range: 0.2-100%
- Small size, light weight, high efficiency
- The housing is made from V0 flame retardant PC materials from CHIMEI
- Short circuit protection, open circuit protection, overload protection



Technical Specifications (All parameters not specially mentioned are measured at 230VAC input, full load and 25°C of ambient temperature) ----->>>>

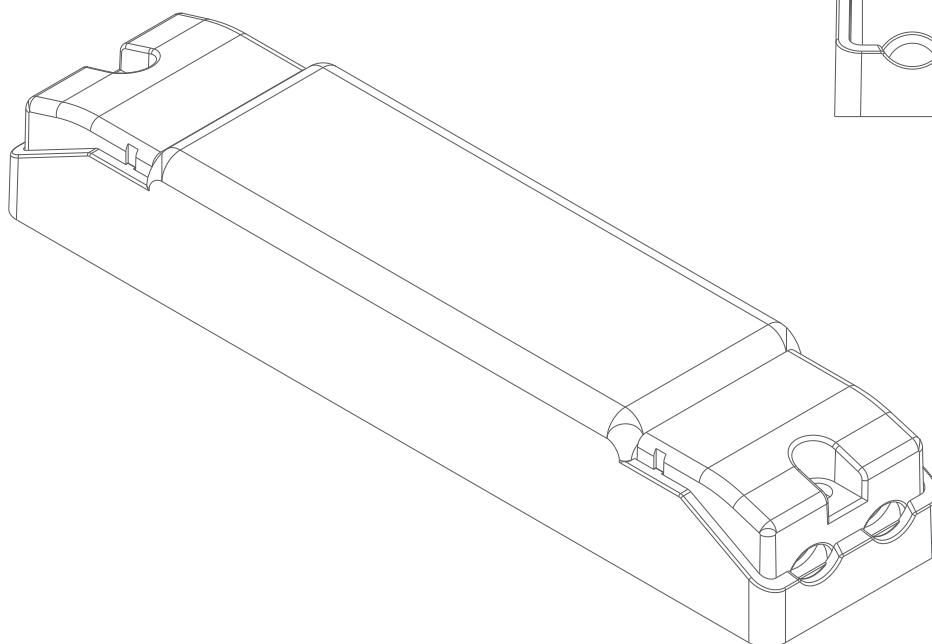
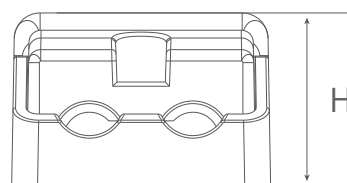
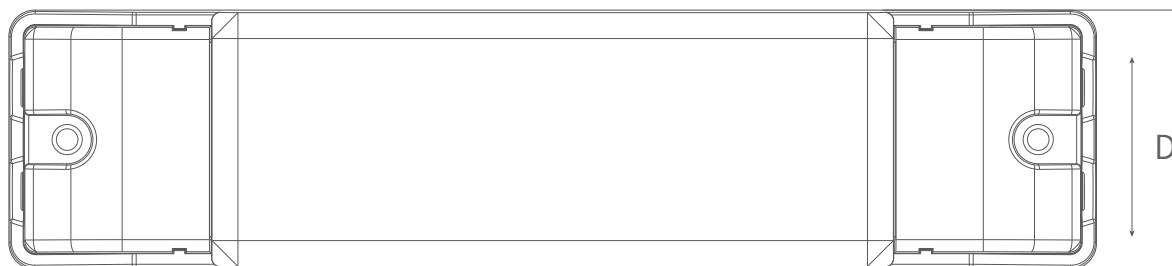
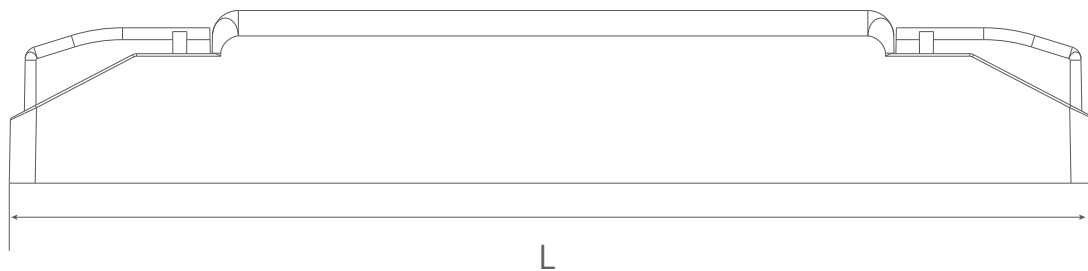
Model	JD5208A			Output Type	Constant Voltage		
Input	DC Voltage Range	220-240V		Communication mode	Bluetooth		
	AC Voltage Range	220-240V		Output Feature	Isolation		
	Rated Voltage	220Vac/230Vac/240Vac		IP Rating	IP20		
	Input Frequency	0/50/60Hz		Insulation Rating	Class II (Suitable for class I II III light fixtures)		
	Input Current	≤0.9A/230Vac(at full load)		No Load Output Voltage	≤25Vdc		
	Input Power	Max.115W		Output Voltage Range	24Vdc		
	Efficiency	≥88%(at full load)		Output Current Range	4.2A		
	Inrush Current	<75A&230uS@230Vac		Output Power Range	100W		
	Anti-Surge	L-N:4KV		Dimming Range	0.2-100%		
	Leakage Current	<0.5mA/230Vac		Ripple Current	<5%		
Protection	Overload Protection	Hiccup Mode (Auto-Recovery after Elimination)			Current Accuracy	±5%	
	Open Circuit Protection	≤25Vdc			PWM Frequency	3000Hz	
	Short Circuit Protection	Hiccup Mode (Auto-Recovery after Elimination)			Working Temperature	ta:-20°C~45°C	
Safety	Safety Standards	Withstand Voltage	I/P-O/P: 3750Vac, 5mA, 60s			Working Humidity	20-95%RH(No Condensation)
		Insulation Resistance	I/P-O/P: 100MΩ/500VDC/25°C/70%RH			Storage Temperature/Humidity	-20-85°C/10-95%RH
		CCC	China	GB19510.1, GB19510.14		Case Temperature	tc:90°C
		CE	European Union	EN61347-1, EN61347-2-13, EN62493		Life Time	>50000h@tc=90°C
		KC	Korea	KC61347-1, KC61347-2-13			
		TUV	Germany	EN61347-1, EN61347-2-13, EN62493			
		ENEC	Europe	EN61347-1, EN61347-2-13, EN IEC62384			
		CB	CB Member States	IEC61347-1, IEC61347-2-13			
		RCM	Australia	AS/NZS61347.1, AS61347.2.13			
		BIS	India	IS15885(PART2)/SEC13			
EAC	Russia	IEC61347-1, IEC61347-2-13					
UKCA	United Kingdom	BS EN61347-1, BS EN IEC61347-2-13, BS EN62493					
ErP	Flicker/ Stroboscopic Effect	IEEE1789	Meet IEEE Std1789-2015				
		CIESVM	Pst≤1, SVM≤0.4				
	DF	Phase Factor	DF≥0.9				
Test Equipment	AC Source	PS-61005	Withstand Voltage Tester	TH9302D	Other		
	DC Electronic Load	IT8512A+	Thermostatic Humidity Chamber	HT-H-802			
	Spectrum Analyzer	KH3932	Intelligent Electrical Parameter Meter	PF9800	LED Load		
	Surge Generator	SUG61005TB(7.5KV)-2216	Oscilloscope	TBS1102B			
	Stroboscope	LANSHU-201B	Digital Wattmeter	PM2818C			

Bluetooth Tunable White Dimmable LED Driver

2D Diagram



Length (L)	Width (D)	Heigh(H)	Weight(W)
265mm	42mm	30mm	255±10g



Bluetooth Tunable White Dimmable LED Driver

Wiring Diagram



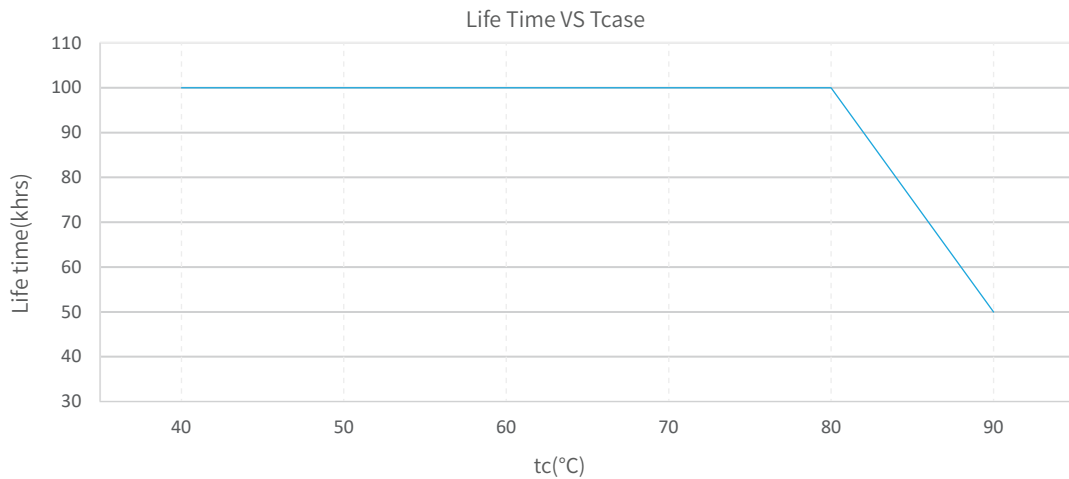
Installation Instructions

Interface	Marking	Description	Wire cross section	Wire Stripping length
Input	N	Input terminal of AC neutral wire	0.75...1.5mm ² (16-18AWG)	5...6mm
	L	Input terminal of AC live wire	0.75...1.5mm ² (16-18AWG)	5...6mm
Output	LED+	Positive electrode output of the driver	0.75...2.5mm ² (14-18AWG)	5...6mm
	LED-W	Negative electrode output of warm light	0.75...2.5mm ² (14-18AWG)	5...6mm
	LED-C	Negative electrode output of cold light	0.75...2.5mm ² (14-18AWG)	5...6mm

Connection instructions

1. Rated torque: M2.6, 0.35~0.40N.m
2. All connections must be as short as possible to ensure good EMI performance.
3. Driver output support hot swap.
4. Incorrect wiring can damage the LED.
5. The power cable should be kept at a certain distance from the driver and other connecting cables (5-10cm recommended)

Product Characteristic Curves



The life-time of the LED driver is shown in the figure above calculated (based on the 90% survival rate). The relation of tc to ta temperature depends also on the luminaire design.

Bluetooth Tunable White Dimmable LED Driver

Packaging Image



Inner Packaging Box ▲



◀ Small Carton Packaging



◀ Large Carton Packaging

Packaging Size

Packaging Details	Carton Size	Packing Units	Weight
Inner Packaging Box	269x 47 x 34mm	1pcs	285±10g
Small Carton Packaging	350 x 197 x 167mm	15pcs	4.58kg
Large Carton Packaging	420 x 360 x 365mm	60pcs	19.2kg

Packaging instructions:

Each large carton packaging contains 4 small carton packagings, Each small carton packaging contains 15 inner packaging boxes.

Cautions

- ▶ This product is used as a component in conjunction with a lighting fixture. Due to the influence of EMC from the lighting fixture and wiring, customers should perform EMC testing to confirm the entire product set.
- ▶ No operation with power on. Installation and debugging should be performed by qualified professionals. Please read the product manual carefully before installation.
- ▶ This product can only be used outside the light body, cannot be used inside of the light, and it must be used within the specified working environment.
- ▶ This product is not waterproof and should be avoided from direct sunlight and rain. If it is installed outdoors, please use a waterproof case.
- ▶ Good heat dissipation conditions are beneficial to the product's lifetime. Please install the product in a suitable environment, and strictly prohibit using double-sided tape to attach the casing or circuit board.
- ▶ Please check the parameters of the LED driver to ensure they meet the application requirements of the lighting fixture.
- ▶ Please install according to the standard wire gauge specified in the manual to avoid malfunctions caused by inappropriate wiring.
- ▶ Before powering on, please ensure that the wiring is correct to prevent damage to the driver or lighting fixture caused by incorrect wiring.
- ▶ If a malfunction occurs, please do not attempt to repair it yourself, if you have any questions, please contact the manufacturer.
- ▶ The manual is for reference only. Please refer to the actual product. Any changes to this product will not be notified separately.
- ▶ For more information, please send an email to fei.l@jisim-tech.com.

Bluetooth Tunable White Dimmable LED Driver

Warranty Terms

- ▶ The product is warranted for 5 years. (The life and MTBF of the product are for reference only, and do not represent a warranty statement.)
- ▶ During the warranty period, if any quality issues arise, JISIM will provide free repair or replacement services.

Non-Warranty Terms

The following situations are not covered by the free warranty or replacement service:

- ▶ The warranty period has expired.
- ▶ Damage caused by human factors such as overvoltage, overload, or improper operation.
- ▶ Deformation or damage to the exterior appearance.
- ▶ Damage caused by natural disasters or other irresistible human factors.
- ▶ The warranty label has been torn off or removed.
- ▶ No contract or invoice proof is provided.



Notice:

1. Repair or replacement provided is the only remedy for customers. JISIM is not liable for any incidental or consequential damage unless it is within the law.
2. JISIM has the right to amend or adjust the terms of this warranty, and release in written form shall prevail.