

Product introduction >>>----->>>>

JISIM JD3137 is a 9.6W constant current LED intelligent dimmable driver specifically designed for built in driver luminaires. it supports DALI-2 DT6 dimming functions. The customized dimming curve provides a more comfortable viewing experience for the human eye. When not connected to an external signal, it can be used as a non-dimmable driver. It is suitable for LED Track light, LED surface-mounted downlights, LED wall lamps. Paired with various intelligent control systems, it is widely used in smart homes, smart hotels, intelligent commercial spaces, smart offices, smart buildings, and other facilities.



Product Features >>>----->>>>

- Compact SELV built in dimmable driver
- Support DALI-2 DT6 dimming
- Suitable for Class I / II / III indoor light fixtures
- Smooth dimming, flicker-free, dimming range: 0.1-100%
- Glue filling process, Adapt to higher ambient temperatures
- DIP switch for multi-current setting, Max. output power 9.6W
- Up to 30000 hours life time, 5-Year warranty (Long-lasting Capacitor)
- Small size and light weight, High efficiency
- The housing is made from V0 flame retardant PC materials from CHIMEI

Technical Specifications (All parameters not specially mentioned are measured at 230VAC input, full load and 25°C of ambient temperature) ----->>>>

Model	JD3137					
Input	DC Voltage Range	198-264V	Features	Output Type	Constant Current	
	AC Voltage Range	198-264V		Dimming Interface	DALI-2 DT6 (IEC62386-101-102-207)+PushDim	
	Rated Voltage	220Vac/230Vac/240Vac		Output Feature	Isolation	
	Input Frequency	0/50/60Hz		IP Rating	IP20	
	Input Current	≤0.1A/230Vac(at full load)		Insulation Rating	Class II (Suitable for class I II III light fixtures)	
	Input Power	Max.12W		Output	No Load Output Voltage	≤59Vdc
	Efficiency	≥80%(at full load)			Output Voltage Range	9-40Vdc
	Inrush Current	Cold start 15A(Test twidth=102us under 50% Ipeak@230Vac)			Output Current Range	120-240mA
	Leakage Current	<0.5mA/230Vac			Output Power Range	1-9.6W
Protection	Overload Protection	Hiccup Mode (Auto-Recovery after Elimination)	Dimming Range		0.1~100%	
	Open Circuit Protection	≤59Vdc	Ripple Current		<5%	
	Short Circuit Protection	Hiccup Mode (Auto-Recovery after Elimination)	Current Accuracy	±5%		
ErP	Flicker/ Stroboscopic Effect	IEEE1789	Meet IEEE Std1789-2015	PWM Frequency	<6000Hz	
		CIESVM	Pst≤1, SVM≤0.4	Environment	Working Temperature	ta:-20°C~60°C
Test Equipment	AC Source	PS-61005	Withstand Voltage Tester		TH9302D	Other
	DC Electronic Load	IT8512A+	Thermostatic Humidity Chamber		HT-H-802	
	Spectrum Analyzer	KH3932	Intelligent Electrical Parameter Meter		PF9800	LED Load
	Surge Generator	SUG61005TB(7.5KV)-2216	Oscilloscope	TBS1102B		
	Stroboscope	LANSHU-201B	Digital Wattmeter	PM2818C		

LED Current Settings >>>----->>>>

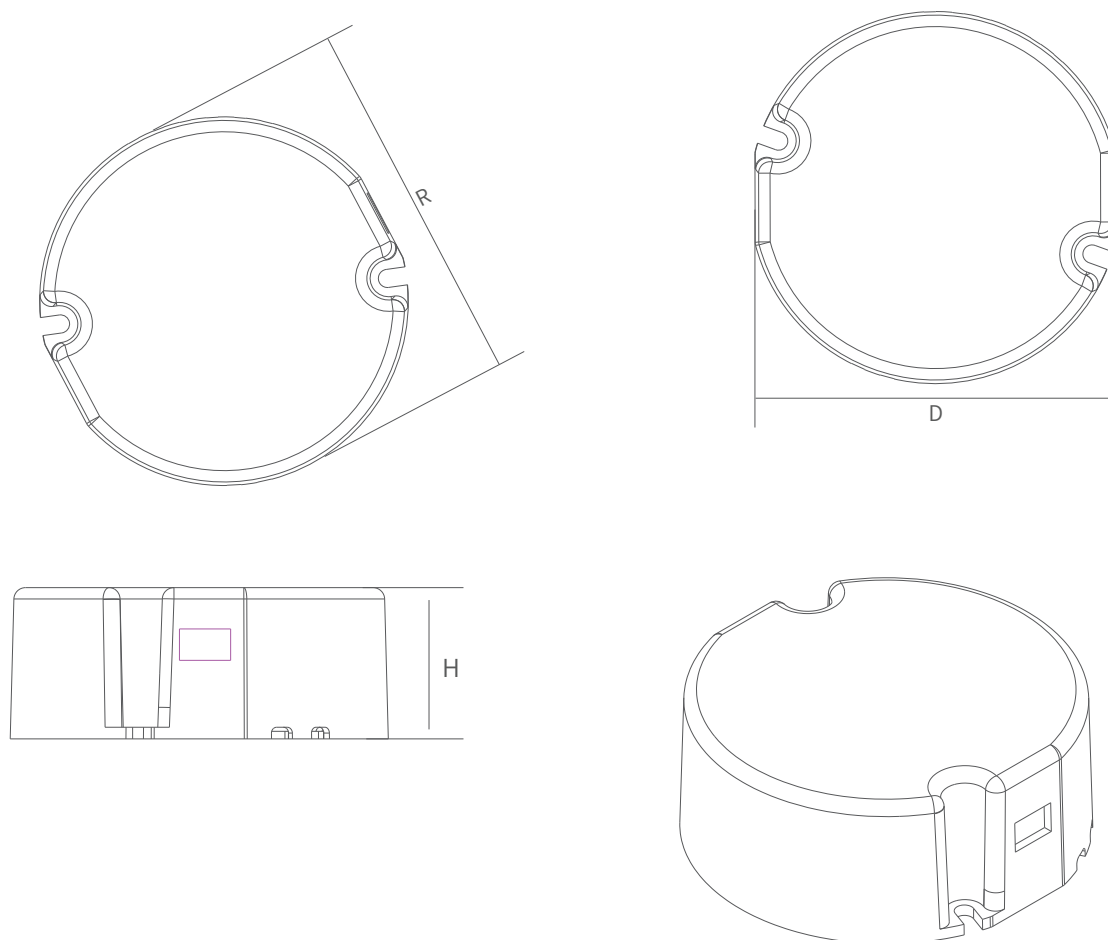
Number	Output				Switch Position	
	Current (mA)	Voltage (VDC)	NO Load Output Voltage (VDC)	Power (W)	1	2
*1	120	9-40	59	4.8	/	/
2	150	9-40		6	ON	/
3	210	9-40		8.4	/	ON
4	240	9-40		9.6	ON	ON

- ◀ * Factory default.
- ◀ 1. Please disconnect the AC input before adjusting the output current via the DIP switch, If not, it may damage the lighting fixture.
- ◀ 2. No Overload, The output power should be less than or equal to 9.6W.

DALI -2+PushDim DT6 Dimmable LED Driver

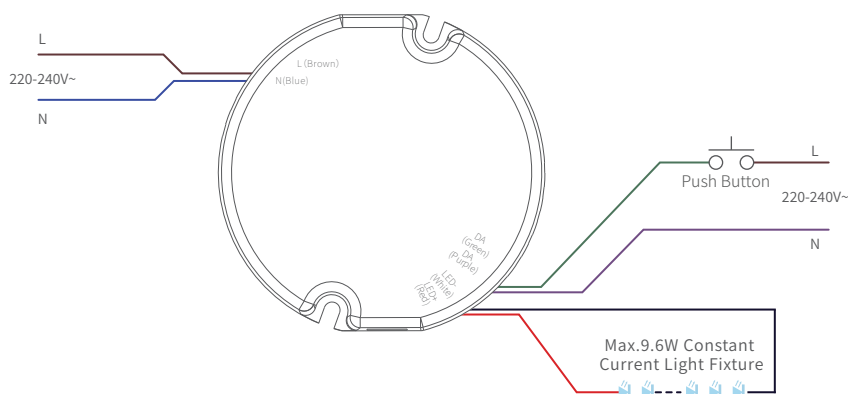
2D Diagram

Diameter (R)	Width (D)	Heigh(H)	Weight(W)
42mm	39mm	20mm	51.2±10g



Wiring Diagram

PushDim Application Wiring Diagram

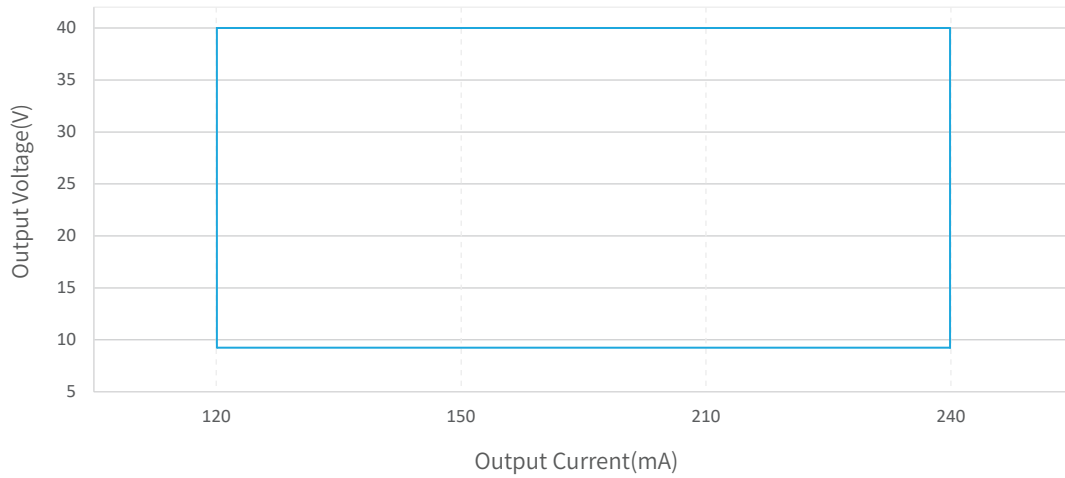


Push function

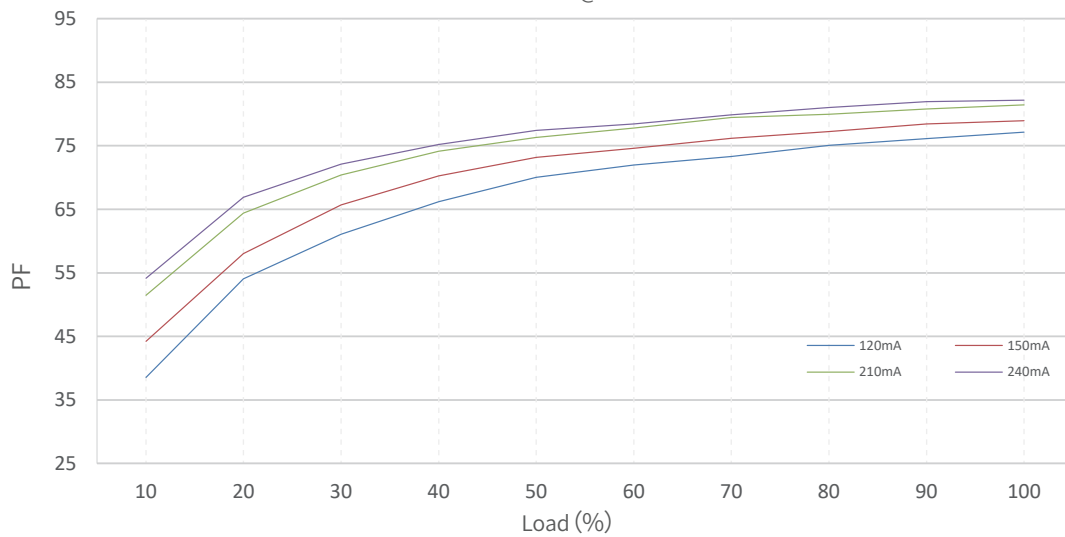
Long press: Adjust brightness, short press: Turn on/off.

DALI -2+PushDim DT6 Dimmable LED Driver

Operating Window



Power Factor VS @Load 230Vac



Packaging Image



DALI -2+PushDim DT6 Dimmable LED Driver

Packaging Size

Packaging Details	Carton Size	Packing Units	Weight
Inner Packaging Box	55x50x26.5mm	1pcs	59.4±10g
Small Carton Packaging	350 x 197 x 167mm	108pcs	6.7kg
Large Carton Packaging	420 x 360 x 365mm	432pcs	27.8kg

Packaging instructions:

Each large carton packaging contains 4 small carton packagings, Each small carton packaging contains 108 inner packaging boxes.

Cautions

- ▶ This product is used as a component in conjunction with a lighting fixture. Due to the influence of EMC from the lighting fixture and wiring, customers should perform EMC testing to confirm the entire product set.
- ▶ No operation with power on. Installation and debugging should be performed by qualified professionals. Please read the product manual carefully before installation.
- ▶ This product can be installed inside the luminaire for use, but the internal temperature of the luminaire must be strictly controlled to not exceed 60°C. Exceeding this temperature may adversely affect the service life of the luminaire.
- ▶ This product is not waterproof and should be avoided from direct sunlight and rain. If it is installed outdoors, please use a waterproof case.
- ▶ Good heat dissipation conditions are beneficial to the product's lifetime. Please install the product in a suitable environment, and strictly prohibit using double-sided tape to attach the casing or circuit board.
- ▶ Please check the parameters of the LED driver to ensure they meet the application requirements of the lighting fixture.
- ▶ Please install according to the standard wire gauge specified in the manual to avoid malfunctions caused by inappropriate wiring.
- ▶ Before powering on, please ensure that the wiring is correct to prevent damage to the driver or lighting fixture caused by incorrect wiring.
- ▶ If a malfunction occurs, please do not attempt to repair it yourself, if you have any questions, please contact the manufacturer.
- ▶ The manual is for reference only. Please refer to the actual product. Any changes to this product will not be notified separately.
- ▶ For more information, please send an email to fei.l@jisim-tech.com.

Warranty Terms

- ▶ The product is warranted for 5 years. (The life and MTBF of the product are for reference only, and do not represent a warranty statement.)
- ▶ During the warranty period, if any quality issues arise, JISIM will provide free repair or replacement services.

Non-Warranty Terms

The following situations are not covered by the free warranty or replacement service:

- ▶ The warranty period has expired.
- ▶ Damage caused by human factors such as overvoltage, overload, or improper operation.
- ▶ Deformation or damage to the exterior appearance.
- ▶ Damage caused by natural disasters or other irresistible human factors.
- ▶ The warranty label has been torn off or removed.
- ▶ No contract or invoice proof is provided.



Notice:

1. Repair or replacement provided is the only remedy for customers. JISIM is not liable for any incidental or consequential damage unless it is within the law.
2. JISIM has the right to amend or adjust the terms of this warranty, and release in written form shall prevail.