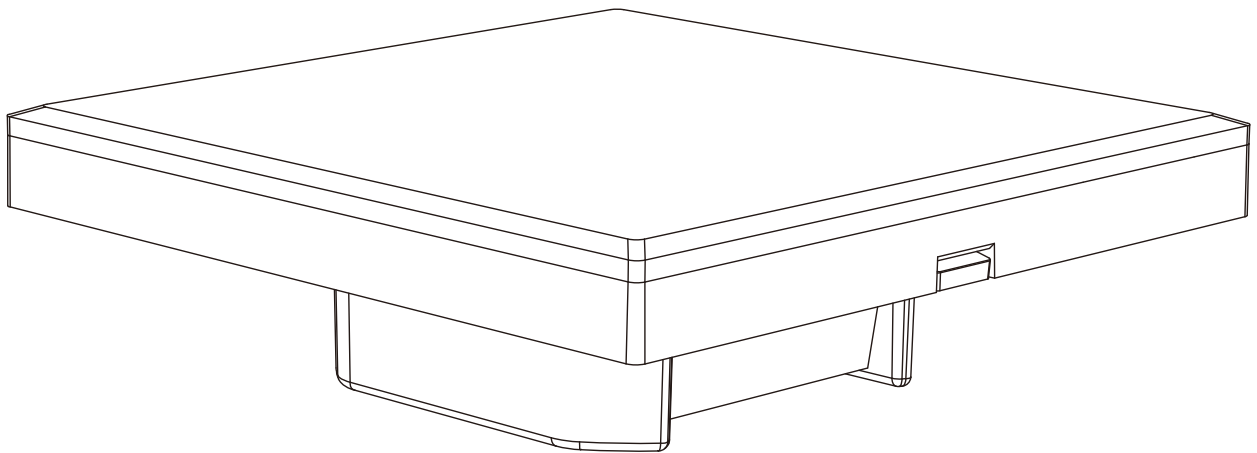


JISIM[®]

User Instruction



0~10V Panel Dimmer

Model No.:SM-PZ1/SM-PZ4

Product Features

Exquisite fashionable stalinite Panel; Adopt high precision touching IC with more sensitive and stable touching. Touch the slider to output 0~10V signal, and working with 0/1~10V Dimming Diver; Brightness dimmable; Widely work on the controlling of hotel lighting and home lighting.

Technical Parameters

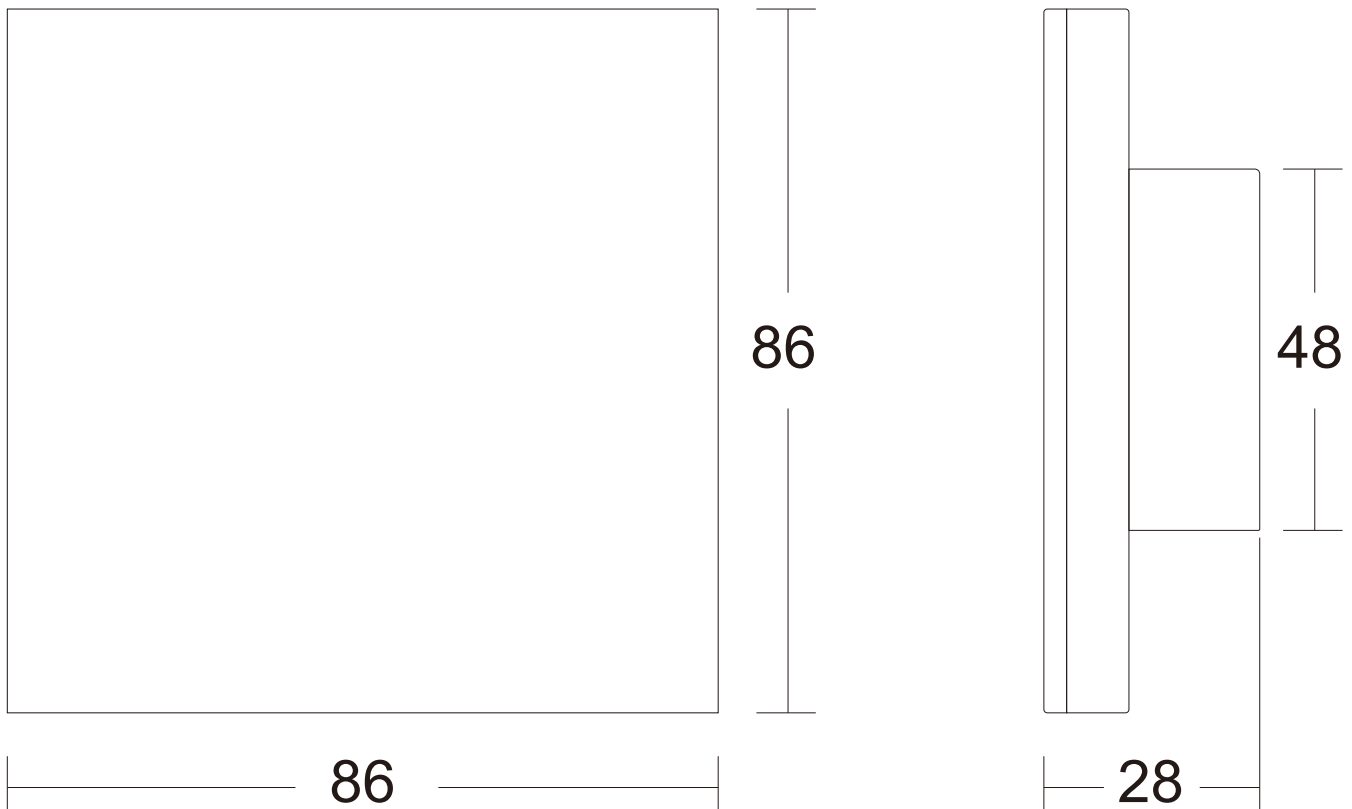
Input Voltage: AC100~240V 50/60Hz

Output Voltage: 0~10V

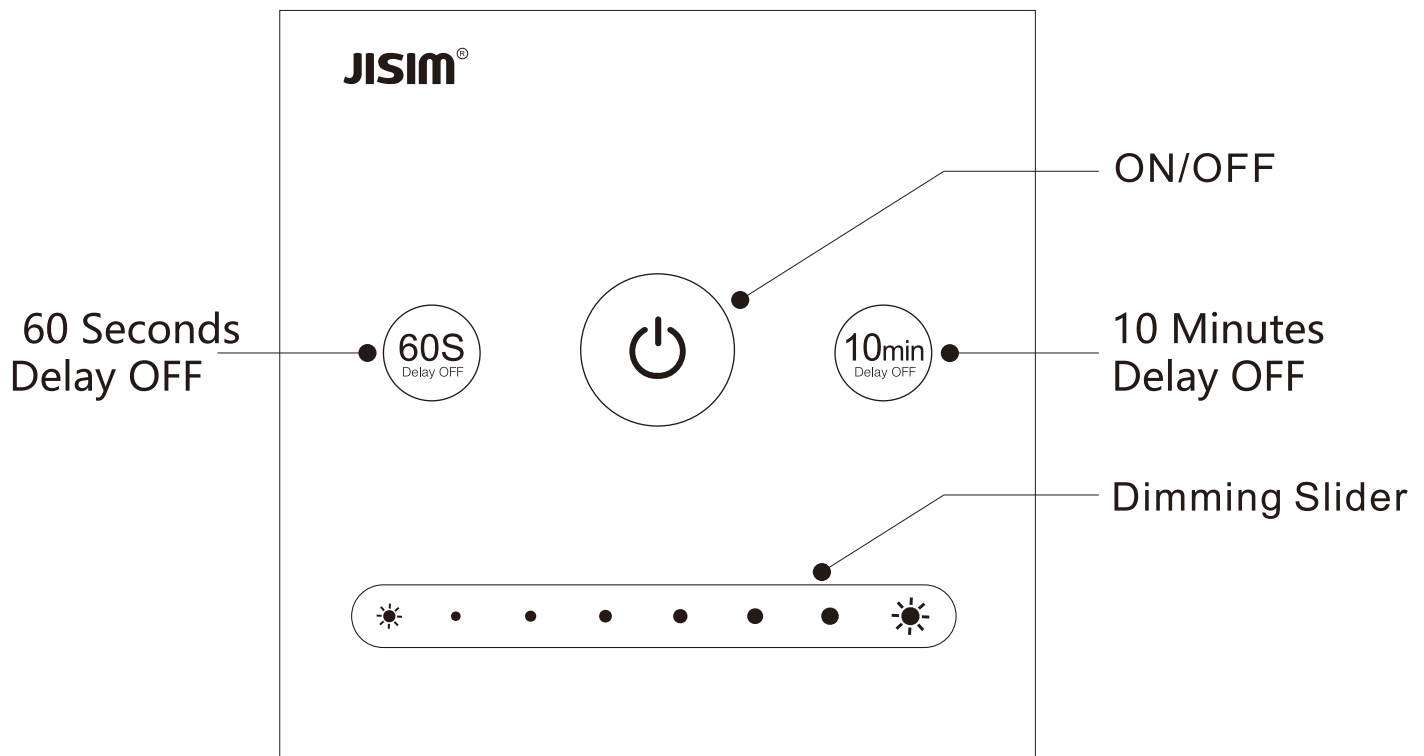
Output Current: Max. 20mA/Channel

Working Temperature: -20~60°C

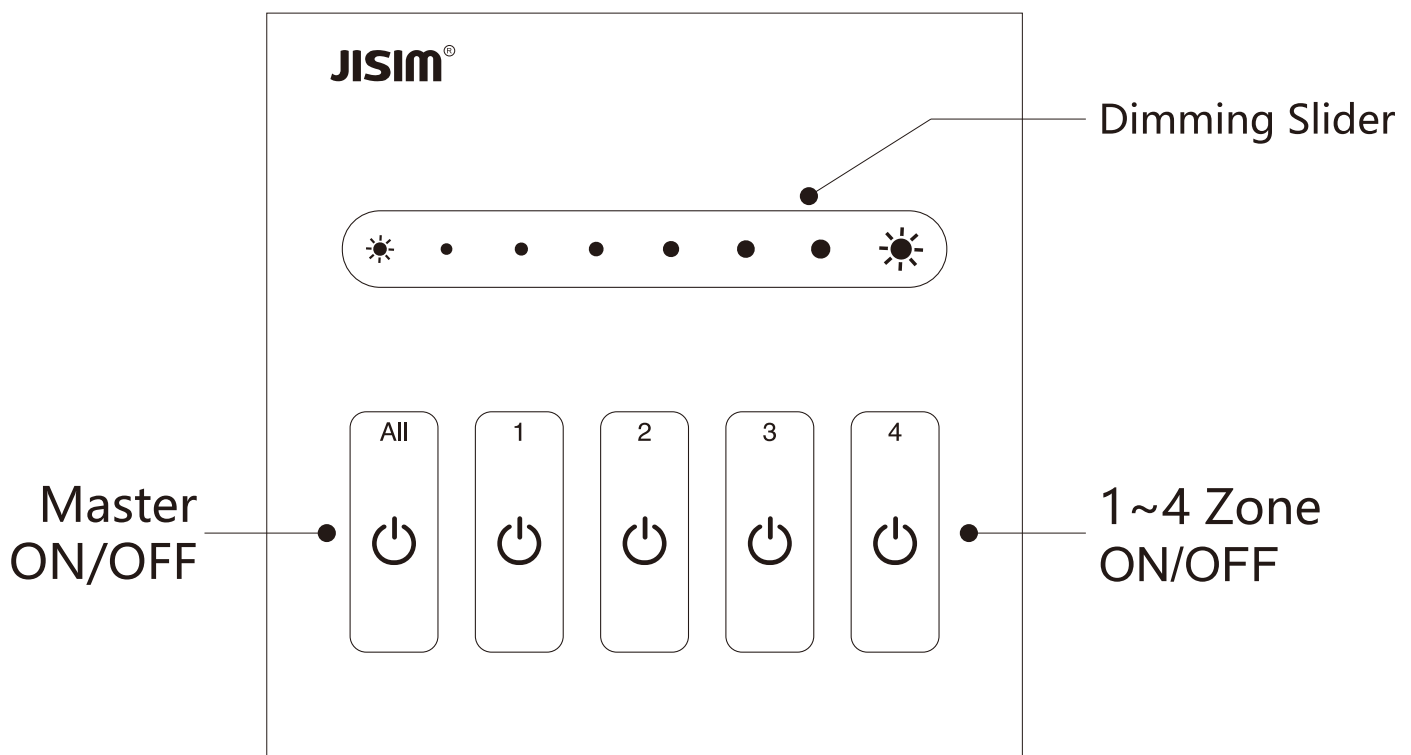
Size: 86*86*28mm



Product Features




Model No.:SM-PZ1




Model No.:SM-PZ4



When the light is ON, Press “  ”, indicating lamp will blink quickly, the light will be off automatically after 60 seconds; Touch again to cancel "60S Delay OFF" function



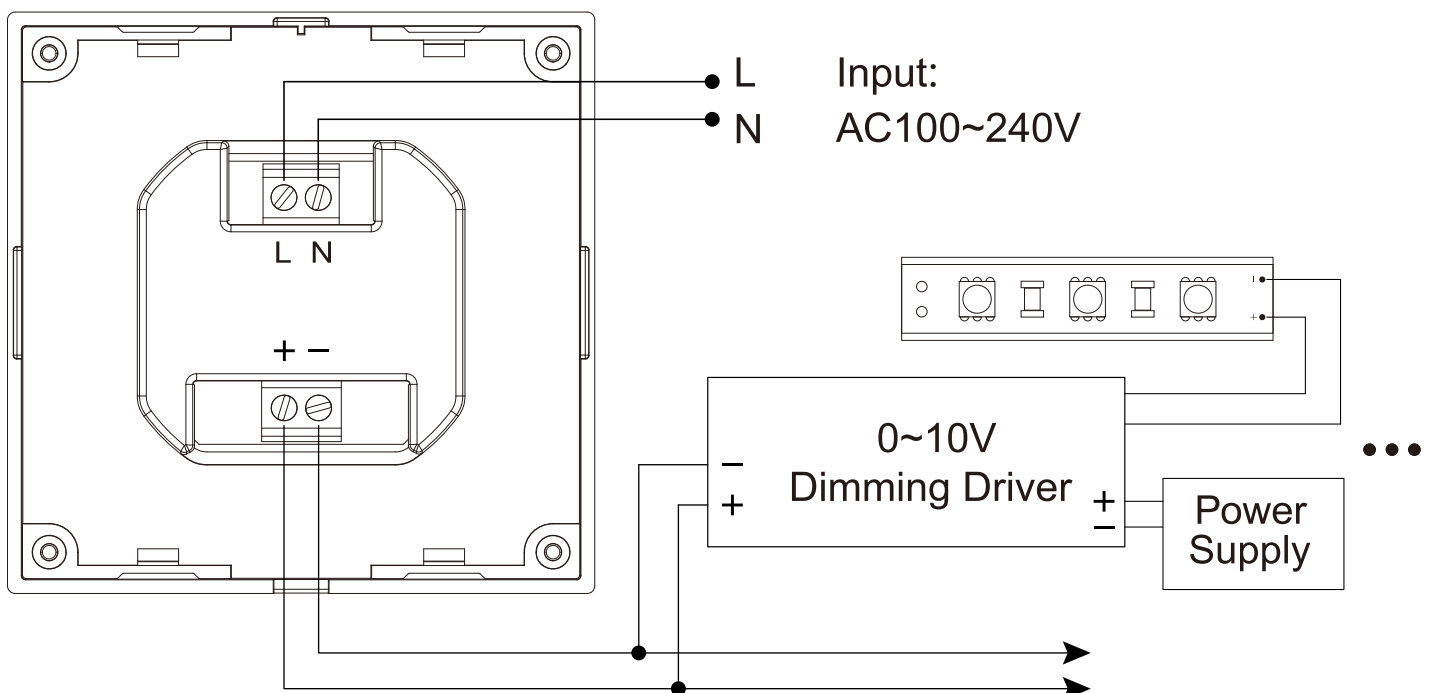
When the light is ON, Press “  ”, indicating lamp will blink slowly, the light will be off automatically after 10 Minutes; Touch again to cancel "10min Delay OFF" function



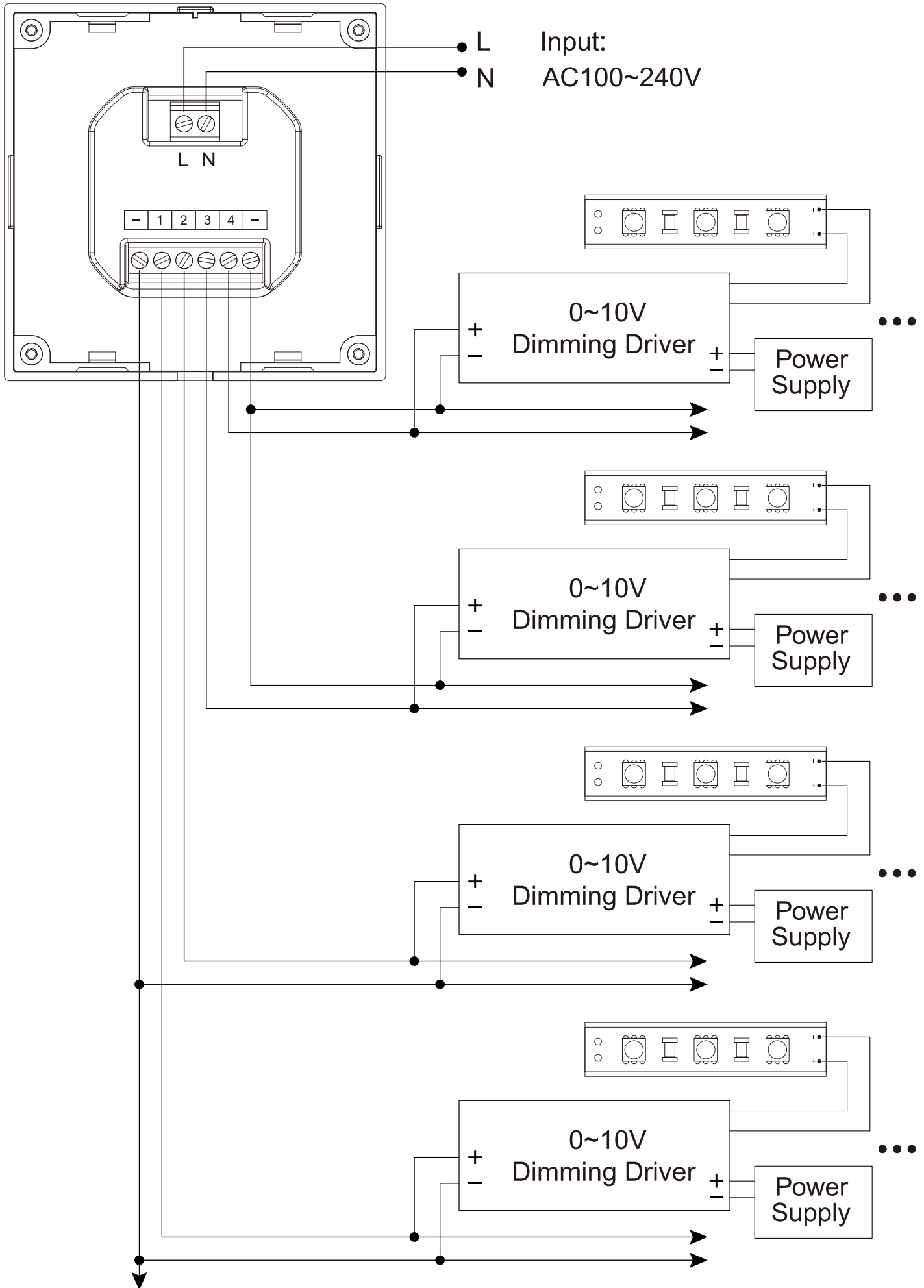
256 grade brightness dimming

Connection Diagram

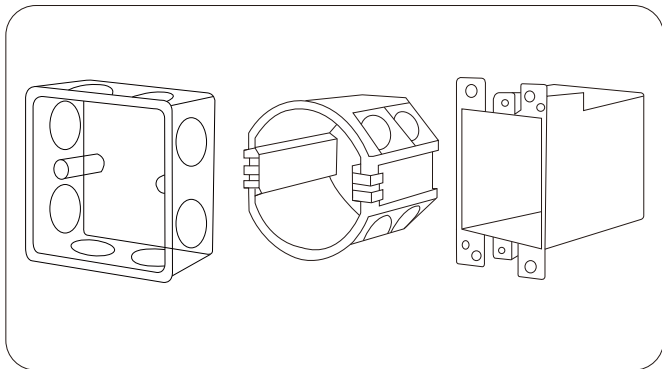
SM-PZ1 One Channel Panel Dimmer



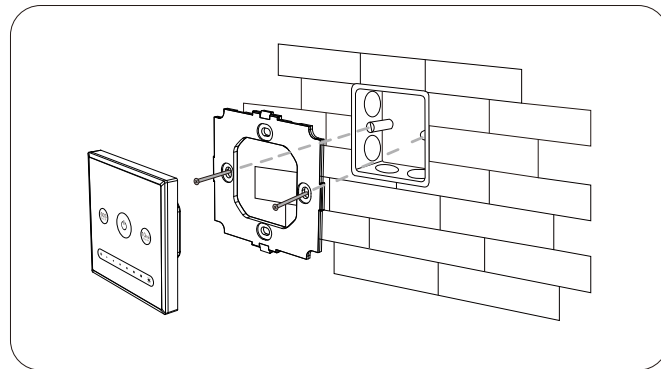
SM-PZ4 Four Channel Panel Dimmer



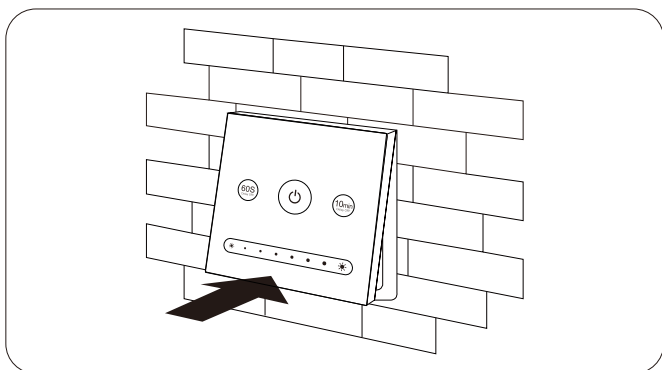
Installation /Dismantlement



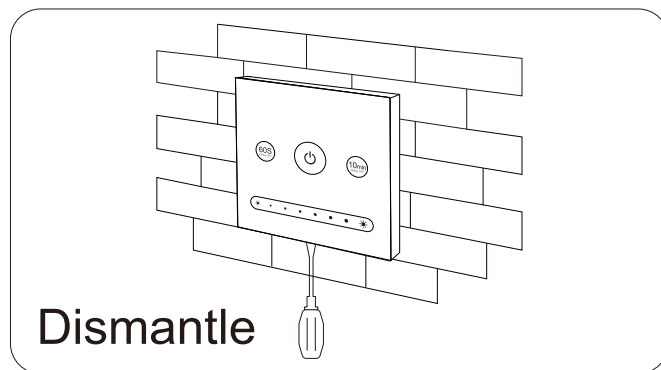
Install the bottom case into the wall; Above are the standard bottom cases.



Fix the panel dimmer base on the bottom case with screw.



Clicks into the upper side of panel dimmer base, then press the lower side slightly to make it clicks into the base.



Dismantle

Plug into the below bayonet with a screwdriver, and upwarp screwdriver, then you can dismantle the controller.

Attention:

1. Before installation, pls check the input voltage is same as the Panel Dimmer, and check the connection of polarity.
2. When Installation, pls handle with care to avoid the broken of the glass panel.



www.jisim-tech.com

Made in China

